



MISCELLANEOUS



Blackstock Lumber Co., Inc.
1039 Elliott Avenue West • Seattle, WA 98119
Phone (206) 284-1313 • Fax (206) 281-0062
www.blackstocklumber.com



MISCELLANEOUS

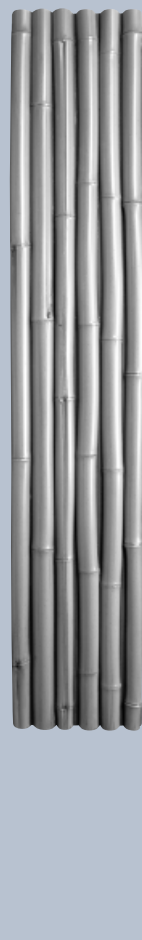
NOTICE :

PL PREMIUM ADHESIVE MUST BE USED ON ALL BEDDING/BUTT JOINTS.

SPECTIS RESERVES THE RIGHT TO HOLLOW OUT BACK OF ANY PRODUCTS WITHOUT NOTICE.



BAMBOO



BAM 972

- PANEL
- 9" w. x 72" h.
- 1 1/8" Projection

• ROUND

BAM 153

- 1 1/2" w. x 3'0" h.

BAM 203

- 2" w. x 3'0" h.

BAM 205

- 2" w. x 5'0" h.

BAM 255

- 2 1/2" w. x 5'0" h.



FESTOONS & TASSELS

FT 3400

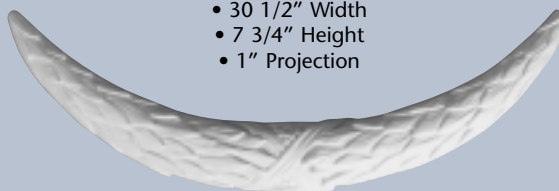
- 26 1/4" Width
- 7 3/16" Height
- 1 1/8" Projection

FT 3401

- 6" Width
- 9 7/8" Height
- 1" Projection

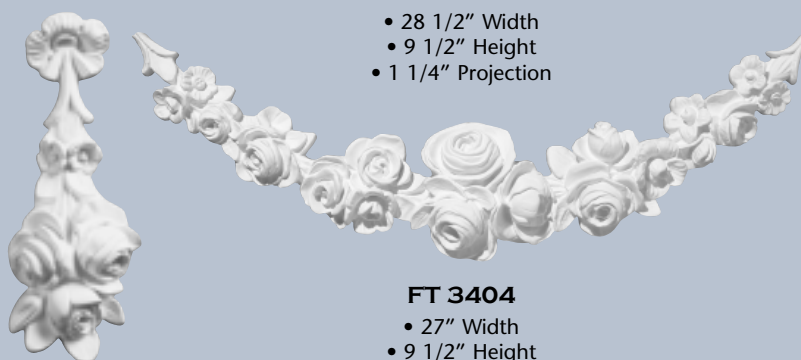
FT 3402

- 30 1/2" Width
- 7 3/4" Height
- 1" Projection



FT 3403

- 28 1/2" Width
- 9 1/2" Height
- 1 1/4" Projection



FT 3404

- 27" Width
- 9 1/2" Height
- 1 3/4" Projection



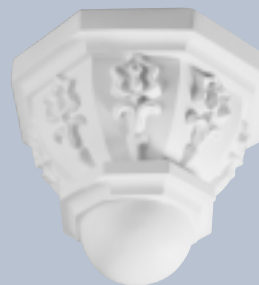
FT 3405

- 4 1/4" Width
- 11 1/2" Height
- 1 1/2" Projection



ACORN 29

- 29" Diameter
- 25" Height



AC 1416

- 16" Width
- 13 3/4" Height

1 • 8 0 0 • 6 8 5 • 9 9 8 1



MISCELLANEOUS



FIN 24
 • 2 3/8" Base Width
 • 24 1/2" Height



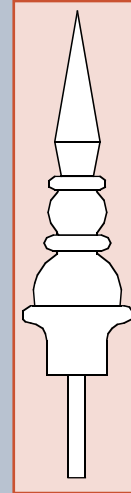
FIN 7
 • 3" Width
 • 7" Height
 • 2 1/4" Base Width
 • PVC Pipe



FIN 8
 • 3 3/4" Width
 • 8" Height
 • 3" Base Width
 • PVC Pipe



FIN 13
 • 6" Width
 • 13 5/8" Height
 • PVC Pipe



FIN 21
 • 3 1/2" Base Width
 • 21 1/4" Height
 • PVC Pipe



FIN 23
 • 6" Width
 • 22 5/8" Height
 • PVC Pipe



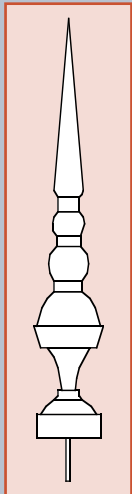
FIN 32
 • 8" Width
 • 32" Height
 • PVC Pipe



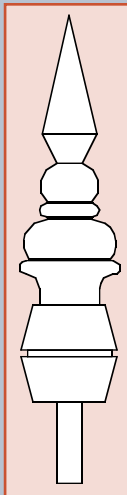
FIN 34
 • 2 3/4" Base Width
 • 34 1/2" Height



FIN 48
 • 6" Square Base
 • 12/12 Pitch
 • 1/2" Threaded Rod
 • 48" Height



FIN 60
 • 9" Base Width
 • 60" Height
 • 1/2" Threaded Rod



FIN 102
 • 6" Base Width
 • 32 1/4" Height
 • PVC Pipe



FIN 3110
 • 10" Base Width
 • 31" Height
 • PVC Pipe

FINIALS



Photo above illustrates the use of the following Spectis products: fluted box columns, balusters BAL 2047, rails RAL 2106T & RAL 2103B and finial FIN 48.





MISCELLANEOUS

NOTICE :

PL PREMIUM ADHESIVE MUST BE USED ON ALL BEDDING/BUTT JOINTS.

STAIR BRACKETS



CUPOLA 2125

- 21" w. x 25 1/4" h.
- Available with Painted Copper Roof
- Venting with screen
- Shipped Unassembled



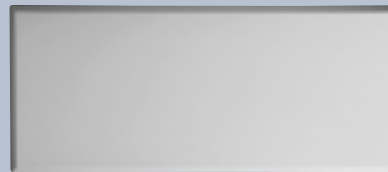
SB 3100L

- 12" Projection
- 7 1/2" Height
- 3/4" Width



SB 3100R

- 12" Projection
- 7 1/2" Height
- 3/4" Width



QUOIN

QN 1637

- 37" w. x 16" h.
- 1 1/2" Projection
- Can be mitered

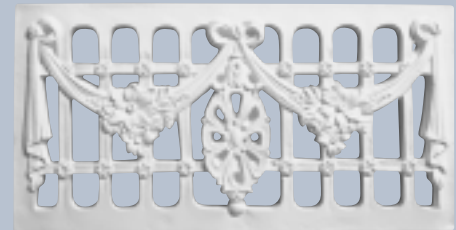
GRILLE COVERS

VG 101

- 7/16" Projection
- 6 1/2" Height
- 11 7/8" Width

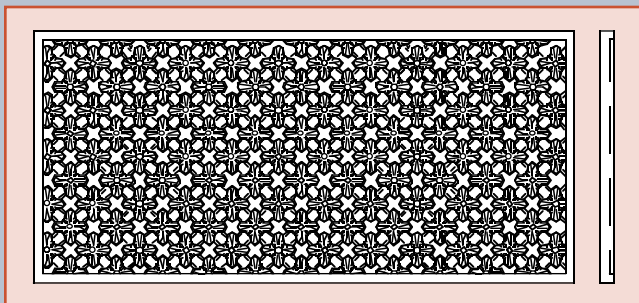
VG 106

- 7/16" Projection
- 8" Height
- 12" Width



VG 104

- 7/16" Projection • 6 1/4" Height • 77" Width • 10 7/8" Repeat



VG 105

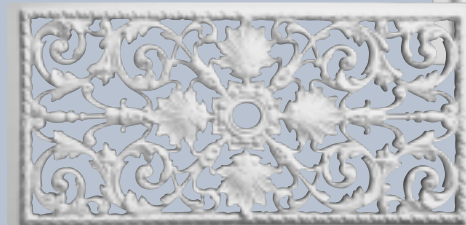
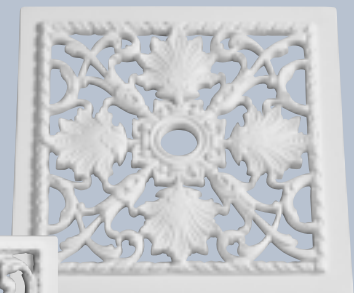
- 3/4" Projection
- 6" Height
- 10" Width

VG 103

- 3/4" Projection
- 14" Height
- 30" Width

VG 102

- 5/16" Projection
- 10" Height
- 10" Width



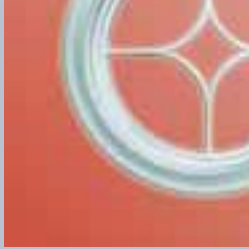
VG 100

- 5/16" Projection
- 10" Height
- 20" Width

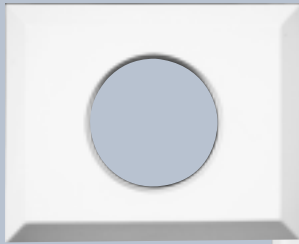
1 • 8 0 0 • 6 8 5 • 9 9 8 1



MISCELLANEOUS

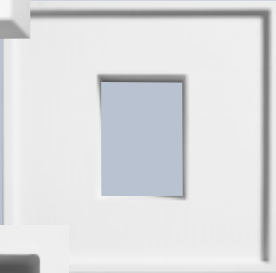


LIGHT BLOCKS



LB 68

- 8" Width
- 6" Height
- 1 3/4" Projection



LB 88

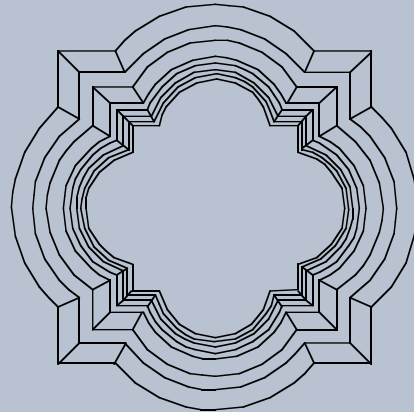
- 8" Width
- 8" Height
- 2" Projection



LB 1414

- 14" Width
- 14" Height
- 3 1/2" Projection

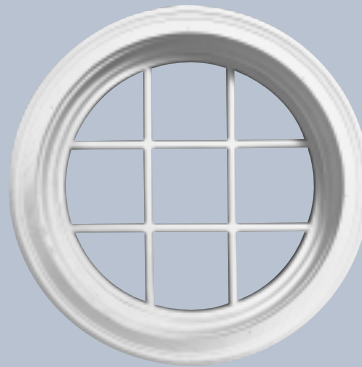
DECORATIVE ARABESQUE



- Can be ordered as a planton or for window glazing

ARB 3232

- 31 1/2" Width
- 31 1/2" Height
- 4 5/8" Projection



RW 24 LG

- with 9 Lite Grille
- R.O. 24 1/2" d.



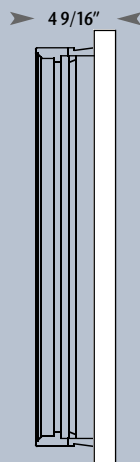
RW 24 DG

- with Diamond Grille
- R.O. 24 1/2" d.



ARCH 2031 QG

- with Queen Anne Grille
- R.O. 20" w. x 31 3/8" h.



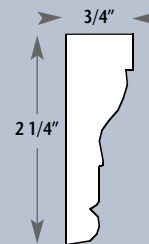
SPECIALTY WINDOWS

- GLASS NOT INCLUDED
- 4 9/16" Jamb
- Sold with/without Grilles
- Inside Casing Included



OVAL 2032 SG

- with Starburst Grille
- R.O. 20 1/2" w. x 32 1/2" h.
- Also Available Round Starburst Grille



OVAL 2032 DG

- with Diamond Grille
- R.O. 20 1/2" w. x 32 1/2" h.



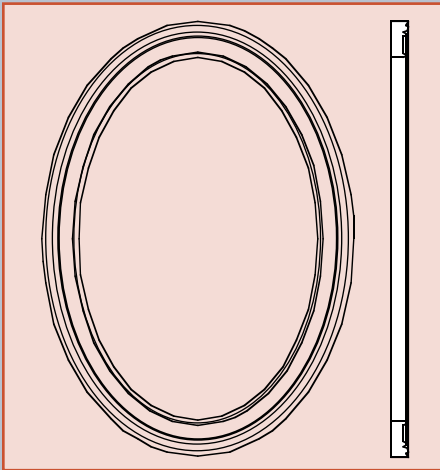


MISCELLANEOUS

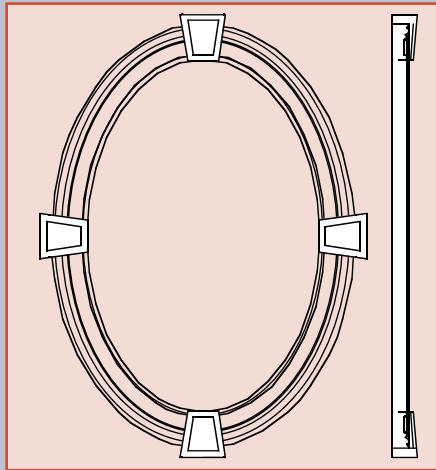
PL PREMIUM ADHESIVE MUST BE USED ON ALL BEDDING/BUTT JOINTS.

NOTICE :

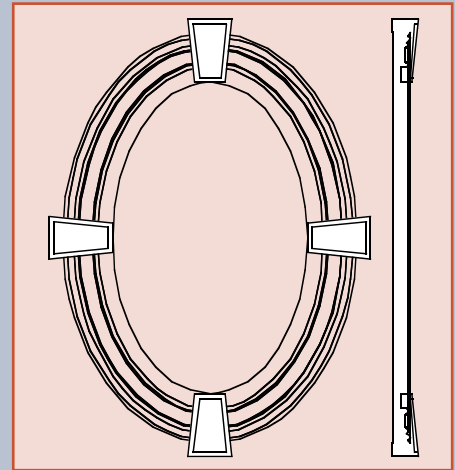
OVAL TRIM



- 1 3/4" Projection
 - Inside Dimensions
 - Matches MD 1377
- OT 3800 - 1824**
• 18" w. x 24" h.
- OT 3800 - 2030**
• 20" w. x 30" h.
- OT 3800 - 2335**
• 23 1/4" w. x 35 1/4" h.
- OT 3800 - 3346**
• 33 3/4" w. x 46" h.
- OT 3800 - 4052**
• 40" w. x 52" h.



- 1 3/4" Projection
 - Inside Dimensions
 - Matches MD 1377
 - With Keystones
- OTK 3800 - 1928**
• 19 3/4" w. x 28 1/2" h.
- OTK 3800 - 2436**
• 24" w. x 36" h.

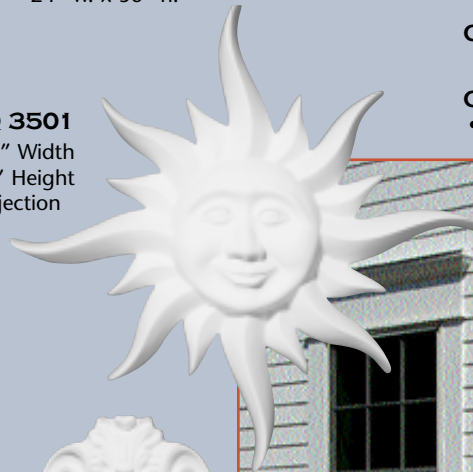


- 1 3/4" Projection
 - Inside Dimensions
 - Matches MD 1144
 - With Keystones
- OTK 3801 - 1624**
• 16" w. x 24 1/2" h.
- OTK 3801 - 2948**
• 29 5/8" w. x 48" h.
- OTK 3801 - 3046**
• 30" w. x 46" h.
- OTK 3801 - 3656**
• 36" w. x 56 1/2" h.



- PN 3600**
- 30 3/4" Width
 - 30 3/4" Height
 - 1" Projection

- PQ 3501**
- 20" Width
 - 20" Height
 - 3 1/4" Projection



- PQ 3500**
- 12" Width
 - 14 1/2" Height
 - 2" Projection

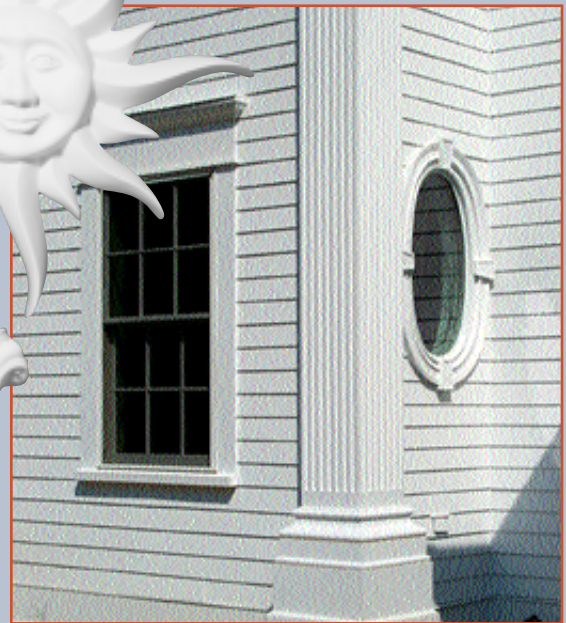
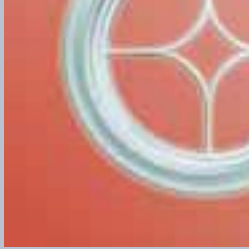


Photo above illustrates the use of the following Spectis products: custom corner pilaster, custom size header CSH 1052, and oval trim OTK 1624.

1 • 8 0 0 • 6 8 5 • 9 9 8 1





RECESSED PANELS

CUSTOM SIZES AVAILABLE



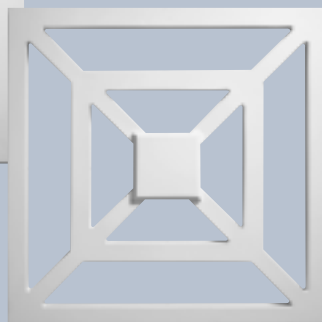
- RP 3903**
- 3/4" Projection
 - 10 1/2" Width
 - 32" Height

- RP 3904**
- 3/4" Projection
 - 21 1/2" Square

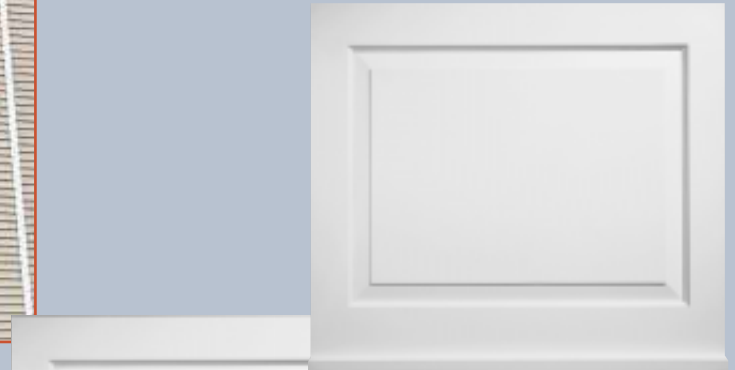
- RP 3905**
- 3/4" Projection
 - 21 1/2" Width
 - 35 1/2" Height



- RP 3906**
- 1 1/2" Projection
 - 24" Square



- RP 3900**
- 1 5/16" Projection
 - 28" Square
 - Decorative Only



- With Sill
- WP 2432S**
- 24 1/2" Width
 - 32 1/2" Height

- WP 2832S**
- 28 1/2" Width
 - 32 3/4" Height

- WP 3229S**
- 32 5/8" Width
 - 29" Height

- WP3729S**
- 37 1/2" Width
 - 29" Height

- WP 3732S**
- 37 1/2" Width
 - 32 3/4" Height

- WP 4432S**
- 44 1/2" Width
 - 32 3/4" Height

- With No Sill • 1" Projection

- WP 1825**
- 17 7/8" Width
 - 24 7/8" Height

- WP 2730**
- 27" Width
 - 30" Height

- WP 4630**
- 46" Width
 - 30" Height

WINDOW PANELS

CUSTOM SIZES AVAILABLE





MISCELLANEOUS

NOTICE :

PL PREMIUM ADHESIVE MUST BE USED ON ALL BEDDING/BUTT JOINTS.

NOTE :

See page 176 for trellis installation instructions.



TR 1010
10' x 10' Trellis Contains:

- 4 – 10' Main Beams with end caps, 3" x 9"
- 7 – 10' Cross Beams with end caps, 3" x 6"

TR 1020
10' x 20' Trellis Contains:

- 2 – 10' Main Beams with end caps, 4" x 10"
- 2 – 20' Main Beams with end caps, 4" x 10"
- 17 – 10' Cross Beams with end caps, 3" x 6"

TRB 100 – 4" w. x 10" h.
Beam with notches includes end caps

TRB 101 – 3" w. x 9" h.
Beam without notches includes end caps

TRB 102 – 3" w. x 6" h.
Beam without notches includes end caps

TRE 100 – End cap 4" w. x 10" h. x 12" p.

TRE 101 – End cap 3" w. x 9" h. x 12" p.

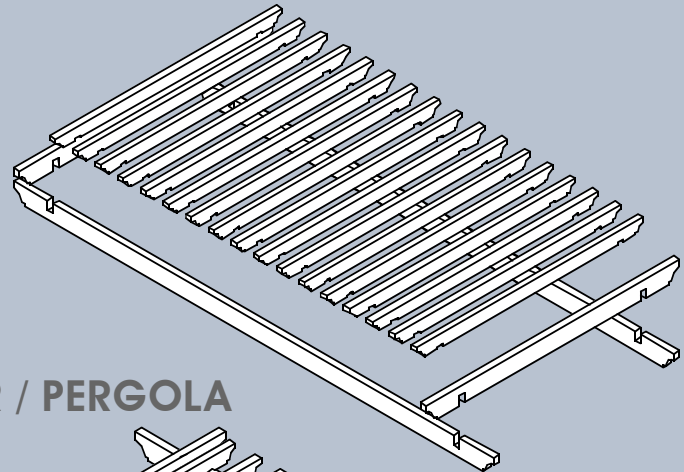
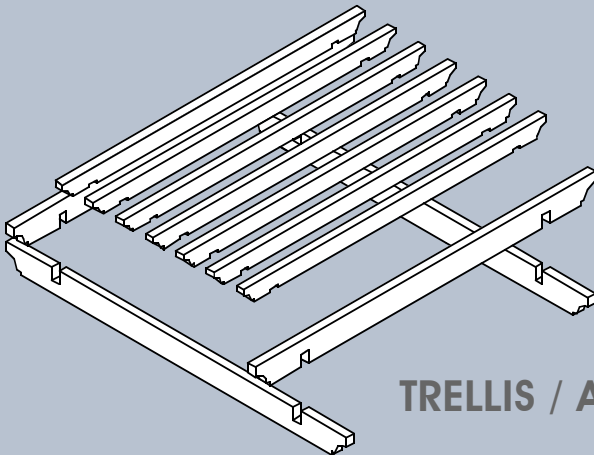
TRE 102 – End cap 3" w. x 6" h. x 12" p.

TRN 100 – Beam notching

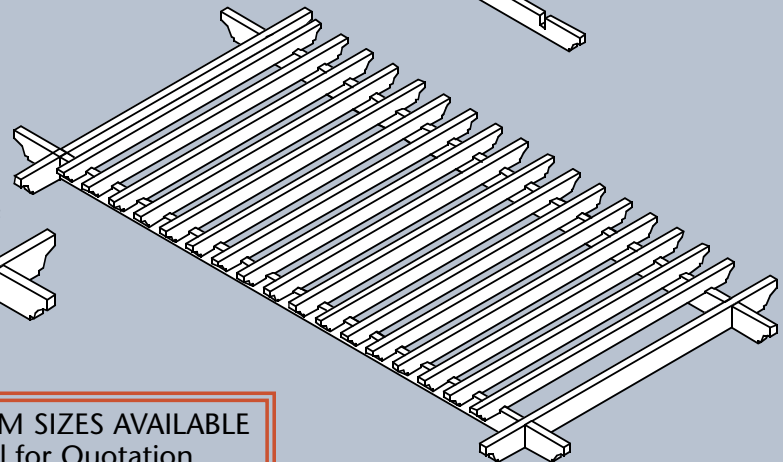
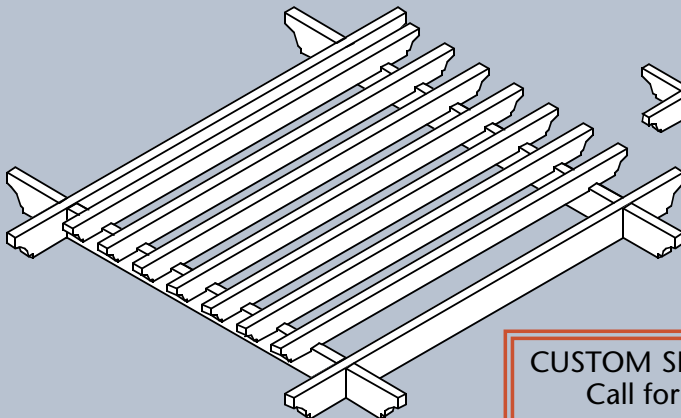
Beams are reinforced with an aluminum truss embedded in the polyurethane

Spectis' trellis design incorporates the latest maintenance free technology with the traditional look of early 20th century architecture. Our trellis features a 100% maintenance free polyurethane exterior shell wrapping an internal aluminum structural truss, providing a 5-lb./ft² safe loading. Our trellis is offered in two standard sizes, a 10' x 10' and a 10' x 20'. Each trellis comes with pre-notched beams and crosses for easy assembly.

Contact your Spectis Customer Service Representative for more information and custom sizes.



TRELLIS / ARBOR / PERGOLA



CUSTOM SIZES AVAILABLE
Call for Quotation

1 • 800 • 685 • 9981



MISCELLANEOUS

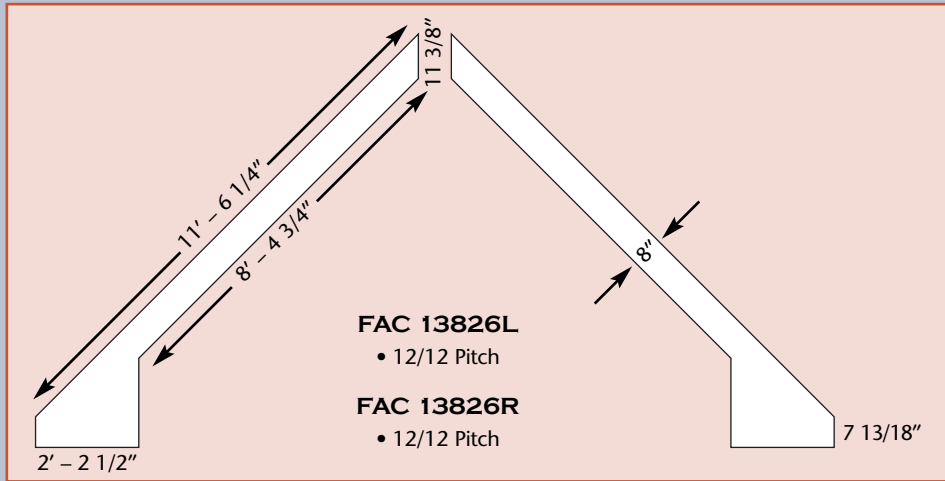
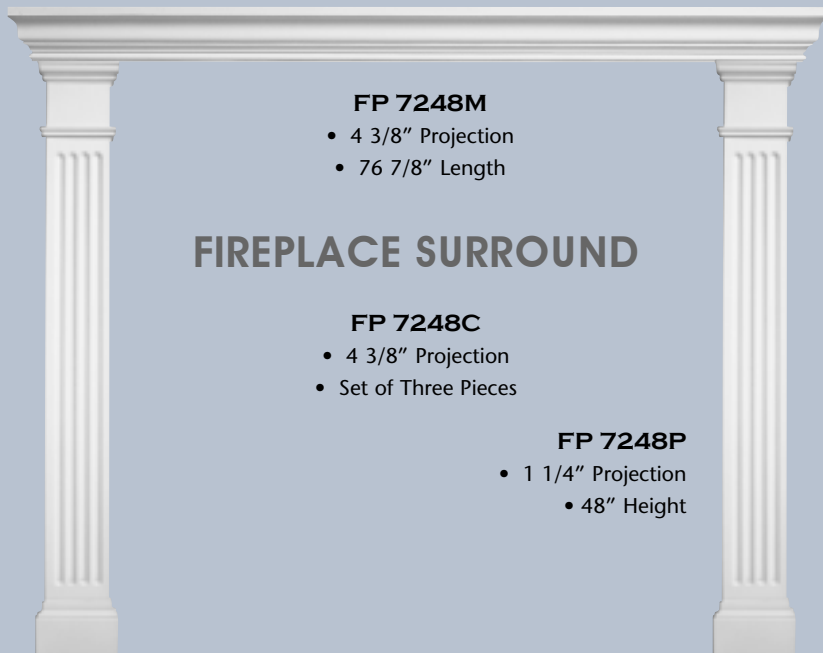
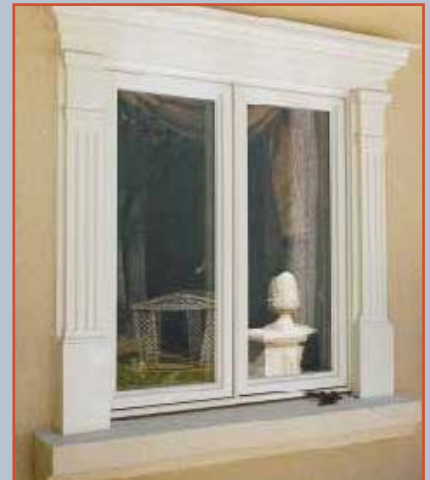
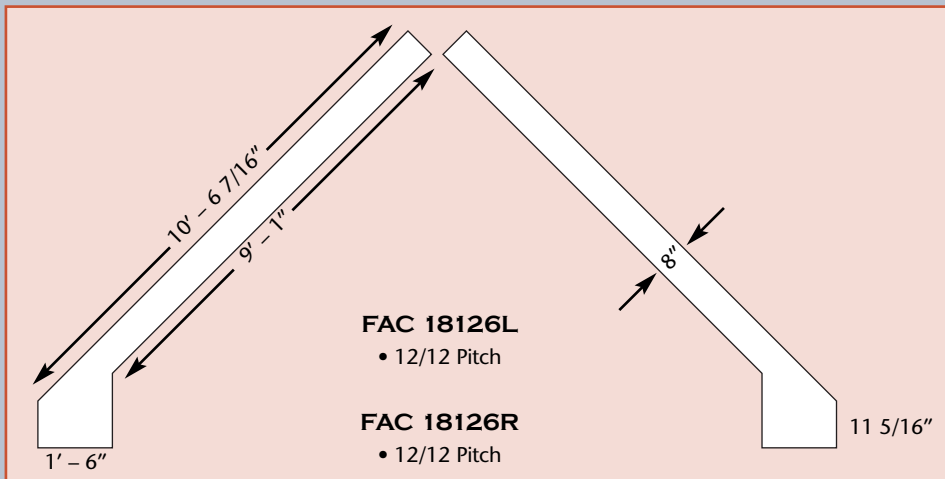


Photo above shows the use of Spectis sunburst SHC 4824 and rake trim FAC 18126L & R.

RAKE TRIM



FIREPLACE SURROUND

FINISHING

All Spectis' products are shipped "double primed" with an exterior grade latex and are ready for use. We recommend final finishing after installation is complete for the most consistent appearance possible. Please see "finishing" recommendations (on page 175) for more information.





MISCELLANEOUS

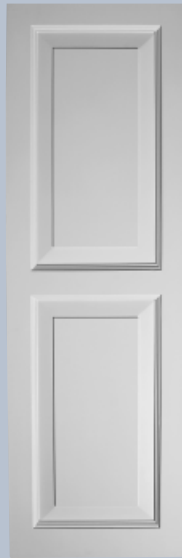
PL PREMIUM ADHESIVE MUST BE USED ON ALL BEDDING/BUTT JOINTS.



- 1 1/4" Projection
- 1 Raised Panel

SHP-1-1624

- 16" w. x 24" h.



- 1 1/4" Projection
- 2 Raised Panels

- SHP-2-928** • 9" w. x 28" h.
- SHP-2-1371** • 13" w. x 71" h.
- SHP-2-1457** • 14" w. x 57 1/2" h.
- SHP-2-1460** • 14" w. x 60" h.
- SHP-2-1472** • 14" w. x 72" h.
- SHP-2-1635** • 16" w. x 35" h.
- SHP-2-1639** • 16" w. x 39" h.
- SHP-2-1647** • 16" w. x 47" h.
- SHP-2-1647.5** • 16" w. x 47 1/2" h.
- SHP-2-1651** • 16" w. x 51" h.
- SHP-2-1655** • 16" w. x 55" h.
- SHP-2-1659** • 16" w. x 59" h.
- SHP-2-1663** • 16" w. x 63" h.
- SHP-2-1667** • 16" w. x 67" h.
- SHP-2-1671** • 16" w. x 71" h.
- SHP-2-1675** • 16" w. x 75" h.
- SHP-2-1677** • 16" w. x 77" h.
- SHP-2-1681** • 16" w. x 81" h.
- SHP-2-1686** • 16" w. x 86" h.
- SHP-2-1872** • 18" w. x 72" h.
- SHP-2-2454** • 24" w. x 54" h.
- SHP-2-2492** • 24" w. x 92" h.



- 1 1/4" Projection • 3 Raised Panels

- SHP-3-1472** • 14" w. x 72 1/4" h.
- SHP-3-1635** • 16" w. x 35" h.
- SHP-3-1639** • 16" w. x 39" h.
- SHP-3-1647** • 16" w. x 47" h.
- SHP-3-1651** • 16" w. x 51" h.
- SHP-3-1655** • 16" w. x 55" h.
- SHP-3-1659** • 16" w. x 59" h.
- SHP-3-1663** • 16" w. x 63" h.
- SHP-3-1667** • 16" w. x 67" h.
- SHP-3-1671** • 16" w. x 71" h.
- SHP-3-1675** • 16" w. x 75" h.
- SHP-3-1677** • 16" w. x 77" h.
- SHP-3-1681** • 16" w. x 81" h.
- SHP-3-1686** • 16" w. x 86" h.
- SHP-3-1839** • 18" w. x 39" h.
- SHP-3-1842** • 18" w. x 42" h.
- SHP-3-1848** • 18" w. x 48" h.
- SHP-3-1852** • 18" w. x 52" h.
- SHP-3-1855** • 18" w. x 55" h.
- SHP-3-1862** • 18" w. x 62" h.
- SHP-3-1864** • 18" w. x 64" h.
- SHP-3-1867** • 18" w. x 67" h.
- SHP-3-1877** • 16" w. x 77" h.

SHUTTERS

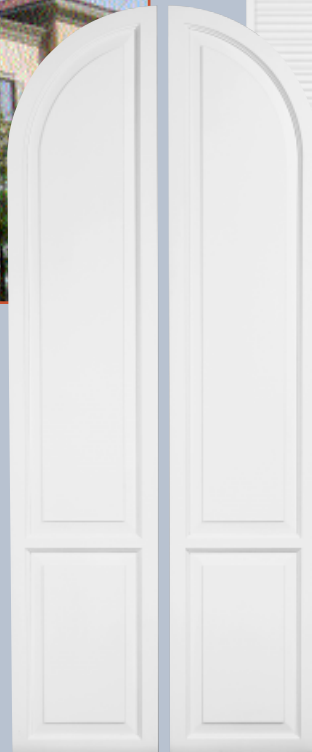


- 1 1/8" Projection
- Arched Raised Panel

SHA 1890R • 18" w. x 90" h.

SHA 1890L • 18" w. x 90" h.

CUSTOM SIZES AVAILABLE
 Raised panel PVC shutters can be custom ordered



- Closed Louvre • 1 1/4" Projection

SHL-1-1872 • 18" Width • 72" Height

SHL-1-3696 • 36" Width • 96" Height



- 1 1/4" Projection • Closed Louvre

- SHL-2 1459** • 14" w. x 59" h.
- SHL-2 1647** • 16" w. x 47.5" h.
- SHL-2 1648** • 16" w. x 48" h.
- SHL-2 1837** • 18" w. x 37" h.
- SHL-2 1842** • 18" w. x 42" h.
- SHL-2 1848** • 18" w. x 48" h.
- SHL-2 1855** • 18" w. x 55" h.
- SHL-2 1860** • 18" w. x 60" h.
- SHL-2 1864** • 18" w. x 64" h.
- SHL-2 1867** • 18" w. x 67" h.
- SHL-2 1872** • 18" w. x 72" h.
- SHL-2 1876** • 18" w. x 76" h.
- SHL-2 1878** • 18" w. x 78" h.
- SHL-2 1881** • 18" w. x 81" h.
- SHL-2 1896** • 18" w. x 96" h.
- SHL-2 2448** • 24" w. x 48" h.

1 • 8 0 0 • 6 8 5 • 9 9 8 1

